

Энкодер с инкрементальным валом Н56

Технические характеристики

По вопросам продаж и поддержки обращайтесь:

Алматы (727)345-47-04
Ангарск (3955)60-70-56
Архангельск (8182)63-90-72
Астрахань (8512)99-46-04
Барнаул (3852)73-04-60
Белгород (4722)40-23-64
Благовещенск (4162)22-76-07
Брянск (4832)59-03-52
Владивосток (423)249-28-31
Владикавказ (8672)28-90-48
Владимир (4922)49-43-18
Волгоград (844)278-03-48
Вологда (8172)26-41-59
Воронеж (473)204-51-73
Екатеринбург (343)384-55-89

Иваново (4932)77-34-06
Ижевск (3412)26-03-58
Иркутск (395)279-98-46
Казань (843)206-01-48
Калининград (4012)72-03-81
Калуга (4842)92-23-67
Кемерово (3842)65-04-62
Киров (8332)68-02-04
Коломна (4966)23-41-49
Кострома (4942)77-07-48
Краснодар (861)203-40-90
Красноярск (391)204-63-61
Курск (4712)77-13-04
Курган (3522)50-90-47
Липецк (4742)52-20-81

Магнитогорск (3519)55-03-13
Москва (495)268-04-70
Мурманск (8152)59-64-93
Набережные Челны (8552)20-53-41
Нижний Новгород (831)429-08-12
Новокузнецк (3843)20-46-81
Ноябрьск (3496)41-32-12
Новосибирск (383)227-86-73
Омск (3812)21-46-40
Орел (4862)44-53-42
Оренбург (3532)37-68-04
Пенза (8412)22-31-16
Петрозаводск (8142)55-98-37
Псков (8112)59-10-37
Пермь (342)205-81-47

Ростов-на-Дону (863)308-18-15
Рязань (4912)46-61-64
Самара (846)206-03-16
Санкт-Петербург (812)309-46-40
Саратов (845)249-38-78
Севастополь (8692)22-31-93
Саранск (8342)22-96-24
Симферополь (3652)67-13-56
Смоленск (4812)29-41-54
Сочи (862)225-72-31
Ставрополь (8652)20-65-13
Сургут (3462)77-98-35
Сыктывкар (8212)25-95-17
Тамбов (4752)50-40-97
Тверь (4822)63-31-35

Тольятти (8482)63-91-07
Томск (3822)98-41-53
Тула (4872)33-79-87
Тюмень (3452)66-21-18
Ульяновск (8422)24-23-59
Улан-Удэ (3012)59-97-51
Уфа (347)229-48-12
Хабаровск (4212)92-98-04
Чебоксары (8352)28-53-07
Челябинск (351)202-03-61
Череповец (8202)49-02-64
Чита (3022)38-34-83
Якутск (4112)23-90-97
Ярославль (4852)69-52-93

Россия +7(495)268-04-70

Казахстан +(727)345-47-04

Беларусь +(375)257-127-884

Узбекистан +998(71)205-18-59

Киргизия +996(312)96-26-47

эл.почта: drx@nt-rt.ru || сайт: <https://dynapar.nt-rt.ru/>

SERIES H56

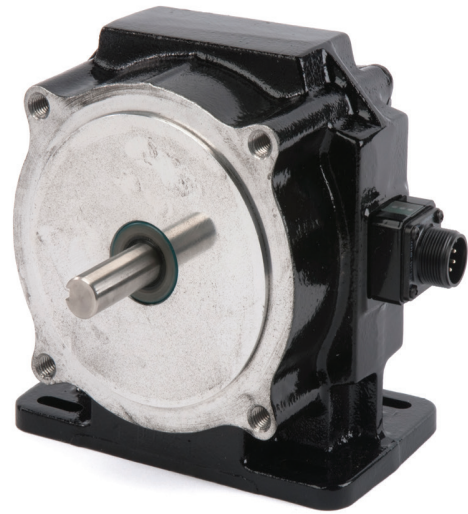
NorthStar™ brand

Heavy Duty Encoder

Key Features

- Encoder-Within-Encoder Design with Phased Array Sensor for Reliable Signal Output
- Large Outer Bearings Isolate Shaft Loads
- Foot Mount or 56 C-Face Mount Easily Replaces BC42 and 46 Tachs
- Rugged Enclosure Rating: IP66

HD
Heavy Duty



SPECIFICATIONS

STANDARD OPERATING CHARACTERISTICS

Code: Incremental, Optical
Resolution: 1 to 5000 PPR (pulses/revolution)
Accuracy: (Worst case any edge to any other edge) ±7.5 arc-min.
Format: Two channel quadrature (AB) with optional Index (Z) and complementary outputs
Phase Sense: A leads B for CW shaft rotation as viewed from the C-face of the encoder
Quadrature Phasing: 90° ± 22.5° electrical
Symmetry: 180° ± 25° electrical
Index: 180° ± 25° electrical (gated with B low)
Waveforms: Squarewave with rise and fall times less than 1 microsecond into a load capacitance of 1000 pf

ELECTRICAL

Input Power: (each output)
 5-26 VDC at 100 mA max., not including output loads
Outputs:
 7273 Open Collector: 40mA, sink max
 7272 Push-Pull: 40mA, sink or source
 7272 Differential Line Driver: 40 mA, sink or source
 4469 Differential Line Driver: 100mA, sink or source
Frequency Response: 100 kHz min.
Noise Immunity: Tested to EN61326-1
Electrical Immunity: Reverse polarity and short circuit protected
Mating Connector:
 6 pin, style MS3106A-14S-6S (MCN-N4);
 10 pin, style MS3106A-18-1S (MCN-N6)
 Pluggable Screw-Terminal (110532-0001)

MECHANICAL

Shaft Size: 5/8" nominal
Shaft Loading: 100 lbs. radial, 50 lbs. axial
Shaft Speed: 3600 RPM max.
Typical Starting Torque: 15 oz-in Single Shaft;
 20 oz-in Double Shaft
Moment of Inertia: 7.9 x 10⁻⁴ oz-in-sec²
Bearing Life: See table, below
Housing Material: Aluminum
Shaft Material: Stainless Steel
Disc Material: Mylar (unbreakable)
Weight: 144 oz. (9 lbs.)

ELECTRICAL CONNECTIONS

* This is a mating connector/cable assembly described in the Encoder Accessories section of this catalog. Color-coding information is provided here for reference.

Encoder Function	Cable # 1400209XXXX 6 Pin Single Ended		Cable #1400419XXXX 10 Pin Differential Twisted Pairs		Pluggable Screw Terminal Pin Number
	Pin	Wire Color	Pin	Wire Color	
Sig. A	B	RED	B	RED	3
Sig. \bar{A}	—	—	G	BLK	8
Sig. B	D	BLU	D	BLU	7
Sig. \bar{B}	—	—	H	BLK	2
Sig. Z*	A	GRN	A	GRN	4
Sig. \bar{Z} *	—	—	I	BLK	9
+V	E	WHT	E	WHT	6
Common	C	BLK	C	BLK	1
Shield	F	SHIELD	F	SHIELD	10

ENVIRONMENTAL

Operating Temperature: -40 to +80 °C
Storage Temperature: -40 to +80 °C
Shock: 50 G's for 11 milliseconds duration
Vibration: 5 to 2000 Hz at 2.5 G's
Humidity: Up to 98% (non-condensing)
Enclosure Rating: NEMA4/IP66 (dust proof, washdown)

Bearing Life versus Load

Radial	Axial	Revolutions
75	15	1.3 x 10 ¹⁰
75	25	6.4 x 10 ⁹
100	25	4.1 x 10 ⁹
100	50	1.3 x 10 ⁹

NOTES:

- 1) Cable Configuration: PVC jacket, 80°C rated, spiral wrapped copper shield; 22 AWG conductors
- 2) Standard cable length is 10 feet but may be ordered in any length in 5 foot increments. For example, for a 20 foot cable, replace -XXXX with -0020
- 3) *Index not provided on all models. See ordering information.
- 4) "MS" Type mating connectors and pre-build cables are rated NEMA 12

SERIES H56

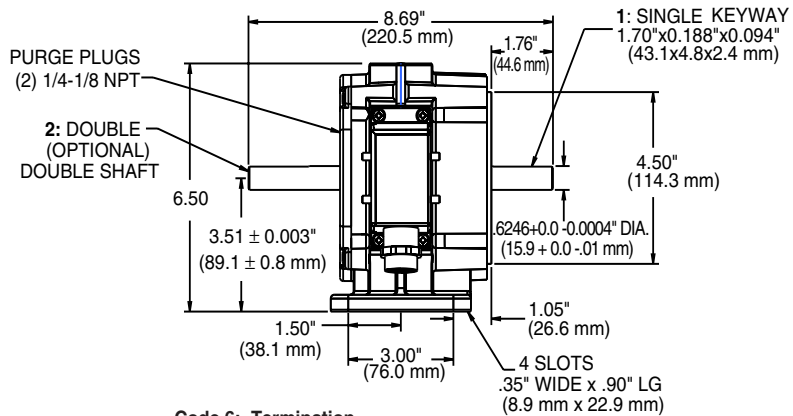
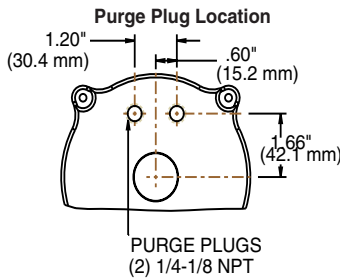
Ordering Information

To order, complete the model number with code numbers from the table below:

Code 1: Model	Code 2: PPR	Code 3: Shaft	Code 4: Format	Code 5: Electrical	Code 6: Termination	Code 7: Options
H56	<input type="checkbox"/> <input type="checkbox"/> <input type="checkbox"/> <input type="checkbox"/>	<input type="checkbox"/>	<input type="checkbox"/>	<input type="checkbox"/>	<input type="checkbox"/>	<input type="checkbox"/> <input type="checkbox"/>
Ordering Information						
H56 Mill Duty, 56C-Face or Foot Mount Rotopulser®	0001 0500	1 Single, 5/8"	Complimentary signals only included when Code 5 is 3,4,5, or 6. 2 Single Output, Quadrature (AB) 3 Single Output, Quadrature w/ Index (ABZ) 4 Dual Isolated Outputs, Quadrature (AB) 6 Dual Isolated Outputs, Quadrature w/Index (ABZ)	0 5-26V in, 5-26V Open Collector Out 1 5-26V in, 5-26V Open Collector Out w/ 2.2kΩ Pullups 2 5-26V in, 5-26V Single Ended Push-Pull Out 3 5-26V in, 5V Differential Line Driver Out (7272) 4 5-26V in, 5-26V Differential Line Driver Out (7272) 5 5-26V in, 5V Differential Line Driver Out (4469) 6 5-15V in, 5-15V Differential Line Driver Out (4469)	0 MS Connector(s) 1 MS Connector(s), plus mating connector(s) 2 Pluggable Screw Terminal Connector(s) 3 Pluggable Screw Terminal(s), plus Mating Connector(s)	Available when Code 6 is 0 or 1, and Code 5 is 3 thru 6: PS LED Output Indicator
	0003 0512	2 Double, 5/8"				
	0010 0600					
	0012 0900					
	0015 1000					
	0032 1024					
	0050 1200					
	0060 1500					
	0100 2000					
	0120 2048					
0200 2400						
0240 2500						
0250 3072						
0300 4000						
0360 4096						
5000						

DIMENSIONS inches [mm]

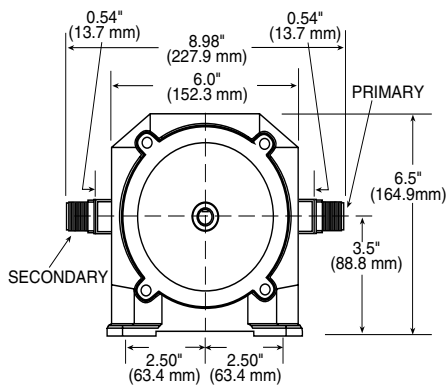
Code 3: Shaft



Code 6: Termination

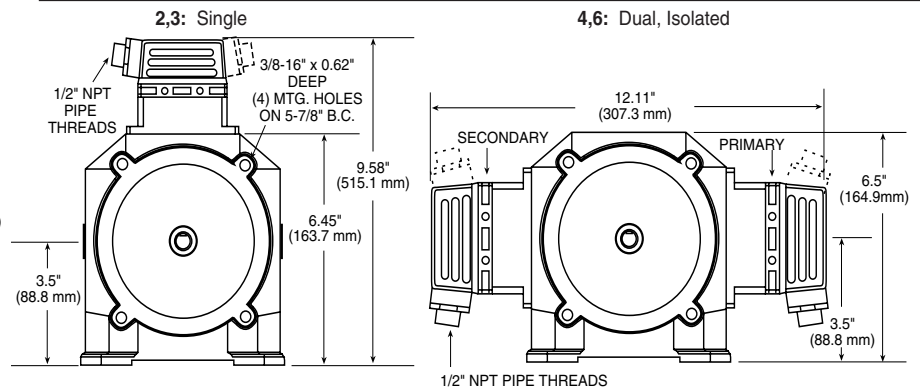
0,1: MS Connectors

Shown with LED Output Indicator Option
Code 9: PS



2,3: Pluggable Screw Terminals

Code 4: Format



По вопросам продаж и поддержки обращайтесь:

Алматы (727)345-47-04
Ангарск (3955)60-70-56
Архангельск (8182)63-90-72
Астрахань (8512)99-46-04
Барнаул (3852)73-04-60
Белгород (4722)40-23-64
Благовещенск (4162)22-76-07
Брянск (4832)59-03-52
Владивосток (423)249-28-31
Владикавказ (8672)28-90-48
Владимир (4922)49-43-18
Волгоград (844)278-03-48
Вологда (8172)26-41-59
Воронеж (473)204-51-73
Екатеринбург (343)384-55-89

Иваново (4932)77-34-06
Ижевск (3412)26-03-58
Иркутск (395)279-98-46
Казань (843)206-01-48
Калининград (4012)72-03-81
Калуга (4842)92-23-67
Кемерово (3842)65-04-62
Киров (8332)68-02-04
Коломна (4966)23-41-49
Кострома (4942)77-07-48
Краснодар (861)203-40-90
Красноярск (391)204-63-61
Курск (4712)77-13-04
Курган (3522)50-90-47
Липецк (4742)52-20-81

Магнитогорск (3519)55-03-13
Москва (495)268-04-70
Мурманск (8152)59-64-93
Набережные Челны (8552)20-53-41
Нижний Новгород (831)429-08-12
Новокузнецк (3843)20-46-81
Ноябрьск (3496)41-32-12
Новосибирск (383)227-86-73
Омск (3812)21-46-40
Орел (4862)44-53-42
Оренбург (3532)37-68-04
Пенза (8412)22-31-16
Петрозаводск (8142)55-98-37
Псков (8112)59-10-37
Пермь (342)205-81-47

Ростов-на-Дону (863)308-18-15
Рязань (4912)46-61-64
Самара (846)206-03-16
Санкт-Петербург (812)309-46-40
Саратов (845)249-38-78
Севастополь (8692)22-31-93
Саранск (8342)22-96-24
Симферополь (3652)67-13-56
Смоленск (4812)29-41-54
Сочи (862)225-72-31
Ставрополь (8652)20-65-13
Сургут (3462)77-98-35
Сыктывкар (8212)25-95-17
Тамбов (4752)50-40-97
Тверь (4822)63-31-35

Тольятти (8482)63-91-07
Томск (3822)98-41-53
Тула (4872)33-79-87
Тюмень (3452)66-21-18
Ульяновск (8422)24-23-59
Улан-Уда (3012)59-97-51
Уфа (347)229-48-12
Хабаровск (4212)92-98-04
Чебоксары (8352)28-53-07
Челябинск (351)202-03-61
Череповец (8202)49-02-64
Чита (3022)38-34-83
Якутск (4112)23-90-97
Ярославль (4852)69-52-93

Россия +7(495)268-04-70

Казахстан +(727)345-47-04

Беларусь +(375)257-127-884

Узбекистан +998(71)205-18-59

Киргизия +996(312)96-26-47

эл.почта: drx@nt-rt.ru || сайт: <https://dynapar.nt-rt.ru/>